

Depuy Synthes GmbH Im Brunnenfeld 8
OrthoKit® Rental Service D-79224 Umkirch


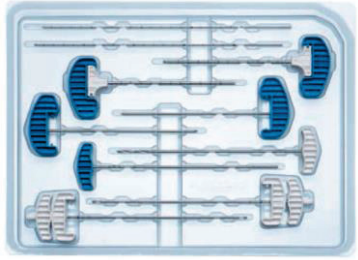

www.depuysynthes.com



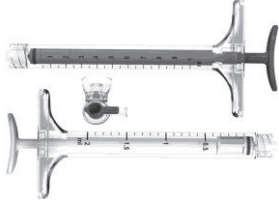

L000656S

Vertebral Body Stent Set mit Vertecem

Box01/02

| Pos. | Mat.Nr | Description | Qty | Unit | Location |
|-------------------------|-------------|---|--|------|----------|
| Box01/02 Tray 01 | | | | | |
| 1 | 03.804.413S | Inflationssystem, steril | 2 | ST | B01T01 |
| | | |  | | |
| 2 | 03.804.612S | Access Kit 4.7 mm | 2 | ST | B01T01 |
| | | |  | | |
| 3 | 03.804.613S | Biopsie-Kit 4.7 mm | 1 | ST | B01T01 |
| | | |  | | |
| 4 | 09.804.500S | Vertebral Body Stent, Small, steril | 2 | ST | B01T01 |
| 5 | 09.804.501S | Vertebral Body Stent, Medium, steril | 4 | ST | B01T01 |
| 6 | 09.804.502S | Vertebral Body Stent, Large, steril | 2 | ST | B01T01 |
| 7 | 09.804.600S | Vertebral Body Stent mit Ballon, klein, steril | 2 | ST | B01T01 |
| 8 | 09.804.601S | Vertebral Body Stent mit Ballon, mittel, steril | 4 | ST | B01T01 |
| 9 | 09.804.602S | Vertebral Body Stent mit Ballon, gross, steril | 2 | ST | B01T01 |

Box02/02

| Pos. | Mat.Nr | Description | Qty | Unit | Location |
|-------------------------|-------------|--------------------------------|--|------|----------|
| Box02/02 Tray 01 | | | | | |
| 10 | 03.702.215S | Vertecem V+ Spritzen-Kit | 2 | ST | B02T01 |
| | | |  | | |
| 11 | 07.702.016S | Vertecem V+ Zement Kit, steril | 2 | ST | B02T01 |
| | | |  | | |

Depuy Synthes GmbH
OrthoKit® Rental Service

Im Brunnenfeld 8
D-79224 Umkirch

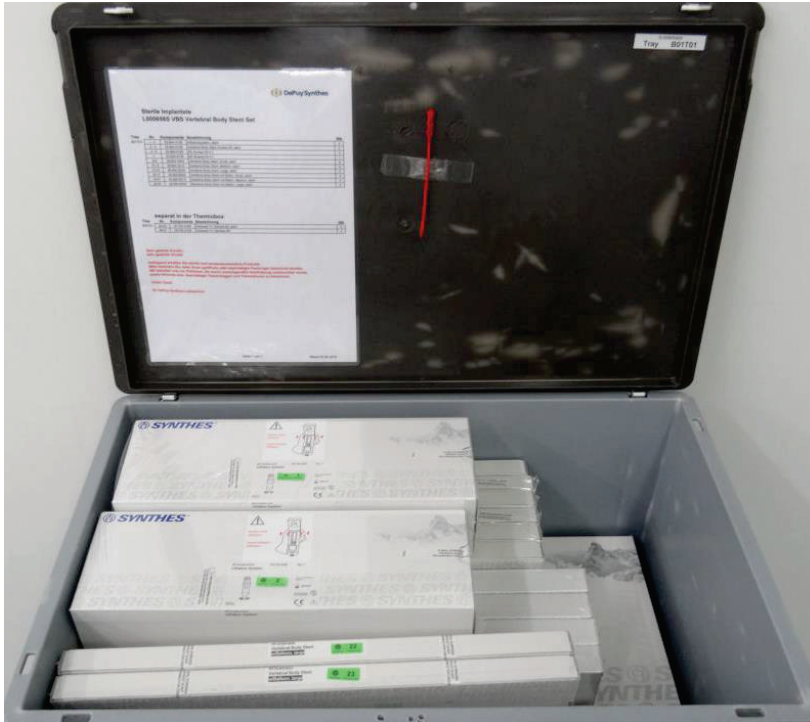
www.depuySynthes.com



L000656S

Vertebral Body Stent Set mit Vertecem

B01T01



B02T01



End of document