

Needle Holders

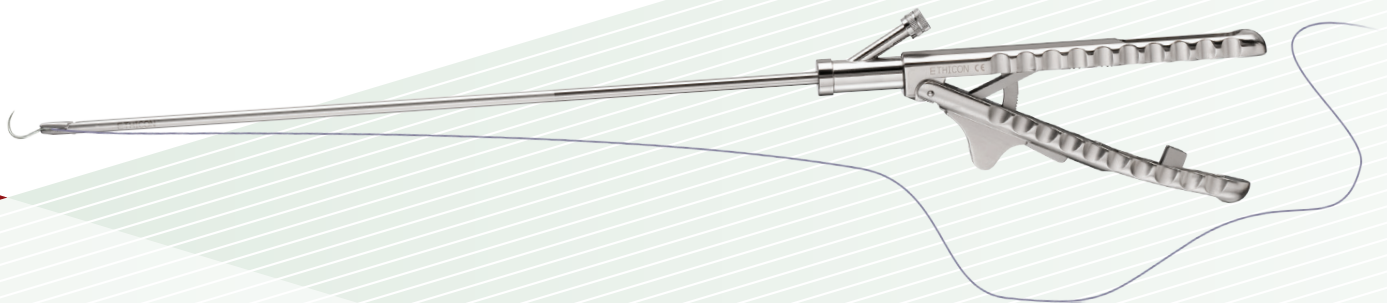
Experience the difference

Manufactured in Germany to the most exacting tolerances of the finest quality stainless steel, both holders offer an ergonomically palmable in-line handle and balance for comfortable fit and use.

Tensioning allows use with a variety of needle wire diameters to prevent premature locking on the instrument jaws, while an etched shaft communicates the proper orientation of the instrument.

ENDOPATH® Needle Holders features

- 30cm and 45cm shaft lengths available
- Reusable device with instrument cleaning port
- Self-righting needle holder orients needles vertically, providing needle and suture manipulation in one instrument
- Palmable handle features an integrated ratchet
- Designed for precise control when using EEN and SH needle types, but may be used with other curved and compound needles



Ordering Information

Product Code	Description	Qty/box
E705R	ENDOPATH® Needle Holder, reusable, 5mm, 30cm length	1
E705RL	ENDOPATH® Needle Holder, reusable, 5mm, 45cm length	1
SRNH1	Self-Righting Needle Holder, reusable, 5mm, 30cm length	1
SRNH1L	Self-Righting Needle Holder, reusable, 5mm, 45cm length	1

ENDOPATH® Needle Holders are compatible with most needle types.
ENDOPATH® Self-Righting Needle Holders are compatible needle codes:
CT-2 / SH / EN-3 / RB-1 / EEN (CANOE) / TQ

How to Order

All purchase orders are made to Johnson & Johnson Health Care Systems, Inc. (JJHCS) or your authorized distributor.

Electronic Ordering Options

(Note: Placing orders electronically avoids minimum order fees for your hospital.)

Johnson & Johnson Gateway:
www.jnjgateway.com/commerce

For questions about your order, visit the website or call 1-866-JNJ-GATE (565-4283).

Global Healthcare Exchange (GHX):
www.ghx.com

For questions about your order, visit the website or call 1-800-YOUR-GHX (968-7449).

Electronic Data Interchange (EDI):
JJHCS EDI Help Line: 1-800-262-2888

Nonelectronic/Manual Ordering Options

Call JJHCS at 1-800-255-2500 between 8:30 a.m. and 9:00 p.m. Eastern Standard Time or fax your order to 1-732-562-2212.

Customer support

For product use assistance, clinical guidelines, service and repair, emergency assistance, copy of a 510(k) clearance letter or complaints, please contact our Customer Support Center at **customersupport@eesus.jnj.com** or by calling **1-877-ETHICON** (384-4266). Our Support Center is staffed 24 hours a day, 7 days a week by qualified nurses to answer your product-related questions.